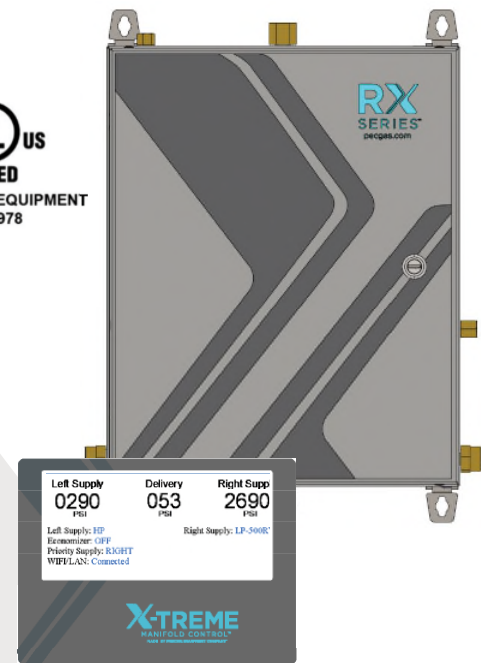


The RX Series uses the modern technology and industry leading UL certification to provide the medical gas market with a comprehensive control system that brings focus to customers' needs. The X-Treme manifold control provides real time updates on gas status and historical usage online, on an easy to read dashboard. This dashboard is configured to be viewed on a mobile device, offering flexibility when using the system from a phone, tablet, or PC. Our complimentary service is new to the industry, and truly a comprehensive alternative to other telemetry options.

FEATURES:

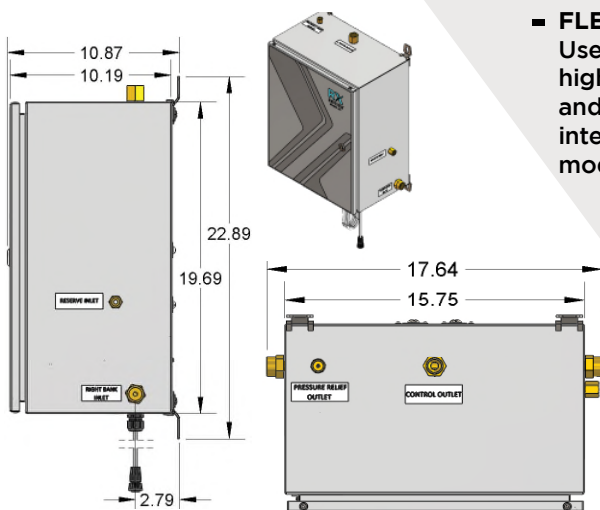
- **24/7 LEAK DETECTION**
Will continuously monitor the reserve supply and provide leak indication lights if pressure is lost.
- **CYLINDER MANAGEMENT**
Select from high-pressure or low-pressure source, including three different relief valve settings.
- **INTERNATIONAL POWER INPUT**
94 VAC - 240 VAC 50/60 with a standard 3-prong plug for domestic use.
- **FULLY-AUTOMATIC CHANGEOVER & EASY RESET**
Once in-use side is depleted, the reserve side will flow uninterrupted and the system will automatically maintain the integrity of the reserve supply.
- **3000 PSI MAXIMUM INLET**
- **AUTOMATIC ECONOMIZER**
When low-pressure source is selected, the system will monitor and capture excess pressure on the reserve supply before reaching the programmed relief valve setting for each source.
- **DELAYED SWITCHOVER**
In the event the in-use reaches the switchover point with low-pressure cylinders, the reserve side will flow uninterrupted for 20 minutes.
- **WIRELESS & LAN CONNECTIVITY**
Connect to web based telemetry using WiFi network.
- **SERIAL 232/485 CONNECTION**
Connect to Modbus or stream data using other protocols.



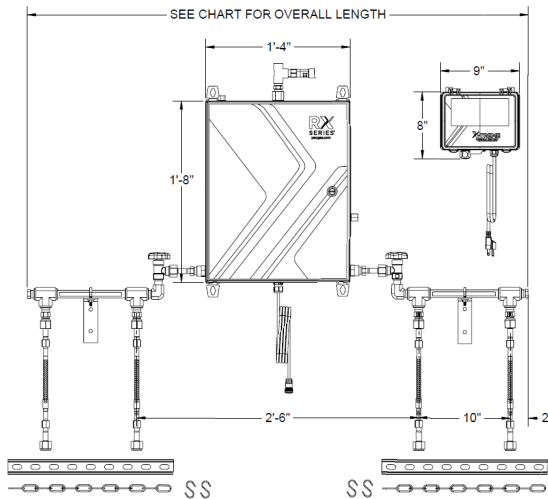
- **GAS PRIORITY CONTROL**
Select the primary supply by prioritizing the left or right bank.

- **FLEXIBILITY**
Uses individual low and high-pressure cylinders, and multi-cylinder packs interchangeably without modification.

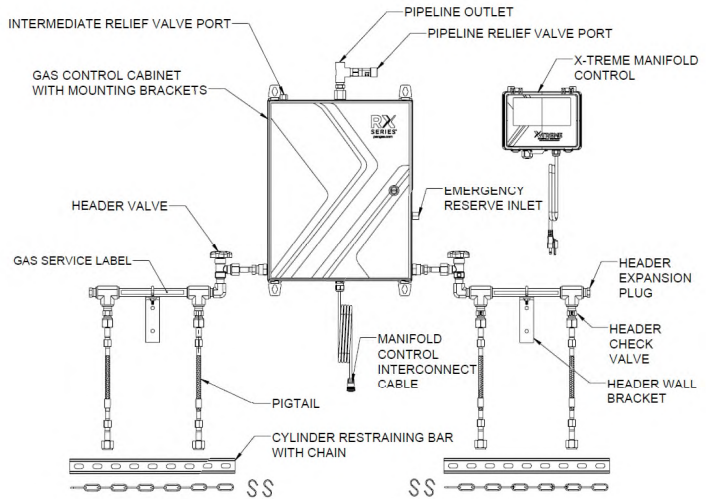
- **WEATHER PROOF**
Rated for IP65 location and can be placed outside in direct water spray.
- **GAS STATUS LED'S**
3-LED status indicators for each gas bank.
- **ACCURATE PRESSURE DISPLAY**
Improved inlet pressure reading and switchover setting to 1-PSI increments.
- **SECURE CONTROLLER**
Tamperproof user settings guarded by password protects the integrity of the controller from unauthorized use.



MANIFOLD DIMENSIONS



MANIFOLD COMPONENTS INCLUDE:



NUMBER OF CYLINDERS AND OVERALL LENGTH

| Header Type | 2 | 4 | 6 | 8 | 10 | 12 |
|-------------|-------|-------|-------|--------|-------|--------|
| Standard | 2'-4" | 4'-6" | 6'-2" | 7'-10" | 9'-0" | 10'-8" |
| Close Space | 2'-0" | 4'-0" | 4'-0" | 4'-10" | 5'-8" | 6'-6" |

| SERIES MODEL | GAS SERVICE | DELIVERY RANGE |
|--------------|---|----------------|
| RX-1 | Oxygen, CO2, Nitrous Oxide, Breathing Air | 5-125 PSIG |
| RX-2 | Nitrogen | 5-200 PSIG |

| APPLICATIONS | MATERIALS | SYSTEM INCLUDES |
|---|---|--|
| Continuous Flow Without Power Provide a continuous flow of gas to patients and equipment where uninterrupted flow is critical. During a power loss, dual normally open solenoid valves will continue flowing gas from both primary inlets until depleted. | Mechanical Enclosure Steel enclosure with latch Controller Enclosure Polycarbonate with lockable latches | Cylinder Connections Flexible stainless steel or rigid copper pigtailed with gas specific CGA connections on either end. Checkvalves are mounted externally on the header, and will include cylinder restraints and chain for high-pressure cylinders only. Rigid copper pigtailed are used with high-pressure oxygen and nitrous oxide cylinders. |
| Hospital • Surgery Centers • Acute Care Perfect for small or large health centers who adhere to the NFPA 99 source of standards. | Regulators Brass bar stock and fabric reinforced neoprene diaphragms | Pipeline Outlet Assembly Includes pipeline relief safety relief valve set to either 75 or 200 psig depending on the gas. |
| Delivery Pressure Models up to 200 psig delivery depending on gas type. | Tubing 3/8" stainless steel tubing with bi-lock tube connections. | Shutoff Valves Header master valves provide a layer of protection when replacing high-pressure cylinders |
| Hyperbaric Chambers Supply pressurized oxygen to patients for decompression sickness and serious infections in either a room or a tube for treatment. | Solenoid Valves NBR sealing (Nitrile Rubber) 24 VDC coils reduce heat exchange and damage to seals. | Emergency Reserve Port Provides a secondary reserve for high-pressure backup cylinders. Requirement when used in conjunction with low-pressure supplies on the primary inlets |
| Nursing Facilities • Hospice Providing a steady and controlled flow of oxygen for patient use within the facility. | Shutoff valves Forged brass and conform to CGA V-9 and CGA V-1 | Cylinder Restraints and Chain Unistrut channel conforms to ASTM A1011 SS GR 33 E-Coat finish |